




S5750M-30X-P-SI L3 10G PoE Routing Switch

Product Overview

S5750M-30X-P-SI full 2.5G routing PoE switch provides high availability, scalability, security, energy efficiency, and ease of operation with rich features such as VSF(Virtualized Switching Framework), IEEE 802.3at/ IEEE 802.3bt and redundant power supplies. It is ideal for WiFi6 AP access scenes in campus networks.

Appearance	Description
  <p>S5750M-30X-P-SI</p>	<ul style="list-style-type: none"> ● 24 x 100/1000M/2.5GBaseT + 4 x 10GE(SFP+) + 2 x 40G(QSFP+) ports ● 1 console, 1 USB, 1 reset, 1 RJ45 Management port ● PoE / PoE+ /PoE++(60w) up to 530w with 1 PSU and 1060w 2 PSUs ● Modular Power supply, standard 1 AC ● Forwarding performance: 256Mpps ● Switching capacity: 191Gbps
 <p>M5750-AC-B</p>	<ul style="list-style-type: none"> ● Maximum consumption: 600w ● Input voltage: 90Vac~264Vac @ 47Hz ~ 63Hz. ● Maximum input current:4.25A @220Vac; 8.5A@110Vac ● Output Voltage: +54.5VDC ● Maximum output current: 11.0A

Key Features and Highlights

Ready for Wi-Fi 6

S5750M-30X-P-SI has 24 2.5Gbps ports and also supports Power over Ethernet (PoE), including PoE+ and 60W PoE. Certainly it is good for 802.11ac and 802.11ax wireless LAN applications and helps you avoid having to run multiple cables between switches and access points and let your networks welcome next-generation traffic speeds and data rates.

Carrier-class reliability

S5750M-30X-P-SI provides 4 10 Gigabit and also 2 40G uplink ports which could be designed to offer redundant uplinks with various ring protection applications, effectively raised the expansibility and performance of the network.

S5750M-30X-P-SI supports redundant hot-swappable power supplies and built-in lightning protection technology. All the ports provides 8KV-10KV lightning protection capability which greatly reduces the damage rate of equipment from lightning.

G.8032 provides sub-50ms protection and recovery switching for Ethernet traffic in a carrier ring topology.

VSF (Virtual Switch Framework)

Virtual Switch Framework can virtualize multiple DCN switches into one logical device, achieving the sharing of information and data tables between different switches. The performance and ports density of virtualized devices is greatly enlarged by times under VSF. VSF also simplifies management work for the network administrator and provides more reliability.

Rich L3 Features

S5750M-30X-P-SI delivers high-performance, hardware-based IP routing, RIP, OSPF, and BGP provide

dynamic routing by exchanging routing information with other Layer 3 switches and routers. With S5750M-30X-P-SI, customers could easily achieve Policy-based Route (PBR), which is important when they need a multi exit application.

Strong Multicast

S5750M-30X-P-SI supports abundant multicast features. In Layer 2, such as IGMPv1/v2/v3 snooping and fast leave. L3 multicast protocols such as IGMPv1/v2/v3, PIM-DM, PIM-SM, PIM-SSM, and even MSDP. With Multicast VLAN Register (MVR), multicast receiver/sender control and illegal multicast source detect functions; S5750M-30X-P-SI provides a great application experience for the customer.

Comprehensive QoS

With 8 queues per port, S5750M-30X-P-SI enable differentiated management of up to 8 traffic types. The traffic is prioritized according to IEEE802.1p, DSCP, IP precedence, and TCP/UDP port number, giving optimal performance to real-time applications such as voice and video.

S5750M-30X-P-SI also supports Bi-directional rate-limiting, per port or traffic class preserves network bandwidth, and allows full control of network resources.

Abundant IPv6 Support

S5750M-30X-P-SI supports IPv6 switching and routing based on hardware for maximum performance. With increased network devices growing the need for larger addressing and higher security become critical, S5750M-30X-P-SI will be the right product to meet this requirement.

Specifications

Item	S5750M-30X-P-SI
Physical port	24 x 100/1000M/2.5GBaseT + 4 x 10GE(SFP+) + 2 x 40G(QSFP+) Auto MIDX
Management port	100/1000M BaseT RJ45 Ethernet Management port
	Console port (RJ45)
	Reset port
	USB2.0 interface
Performance	

Switching Capacity	360Gbps	
Forwarding Rate	267.84Mpps	
MAC Address	32K	
Routing Table	16K	
L3 Interface	Max 1K	
Physical		
Dimension (W*H*D)	440mm*44mm*380mm	
Relative Humidity	10%~90% non-condensing	
Temperature	Working 0°C~45°C, storage -40°C~75°C	
Power Supply	2 power slots, 1+1 Modular Redundant (standard with 1 AC)	
PoE	IEEE 802.3af (15.4W) IEEE 802.3at (30W) IEEE 802.3bt (60W) (the first 8 ports) Total PoE power: 530W(1 PSU) or 1060W(2 PSUs)	
Main Features		
L1, L2 Features	IEEE802.3(10Base-T), IEEE802.3u(100Base-TX), IEEE802.3z(1000BASE-X), IEEE802.3ab(1000Base-T), IEEE 802.3bz(2.5GBase-T), IEEE802.3ae(10GBase), IEEE802.3x, IEEE802.3ak(10GBASE-CX4), IEEE802.3ba(40GBASE-X)	
	Port loopback detection LLDP and LLDP-MED UDLD IEEE 802.3ad LACP, max 128 group trunks with max 8 ports for each trunk LACP load balance ERPS (G.8032)	
	N:1 Port Mirroring RSPAN	
	IEEE802.1d(STP) IEEE802.1w(RSTP) IEEE802.1s(MSTP) Root Guard BPDU Guard BPDU Tunnel	
	IEEE 802.1Q, 4096 VLAN MAC VLAN, Voice VLAN, PVLAN, Protocol VLAN, Multicast VLAN QinQ, Selective QinQ, Flexible QinQ GVRP N:1 VLAN Translation Broadcast / Multicast / Unicast Storm Control	
	IGMP v1/v2/v3 Snooping and L2 Query ND Snooping MLDv1/v2 Snooping	
	Port Security	
	Flow Control: HOL, IEEE802.3x Bandwidth Control	
	L3 Features	Static Routing, RIPv1/v2, OSPFv2, BGP4 OSPFv3, BGP4+ OSPF multiple processes Policy-based routing (PBR) for IPv4 and IPv6 VRRP URPF, ECMP BFD

	<p>IGMP v1/v2/v3, IGMP Proxy, DVMRP, PIM-DM, PIM-SM, PIM-SSM, Anycast RP, MSDP Static Multicast Route Multicast Receive Control Illegal Multicast Source Detect</p> <p>ARP Guard, Local ARP proxy, Proxy ARP, ARP Binding, Gratuitous ARP, ARP Limit Anti ARP Cheat, Anti ARP Scan</p> <p>DNS Client, DNS Relay</p> <p>ICMPv6, ND, DNSv6 IPv6 Policy-based Routing (PBR) IPv6 VRRPv3, IPv6 URPF, IPv6 RA RIPng, OSPFv3, BGP4+ MLD Snooping, IPv6 Multicast VLAN MLDv1/v2, PIM-SM/DM for IPv6, IPv6 Anycast RP, IPv6 ACL, IPv6 QoS</p>
QoS	<p>8 Queues SP, WRR, SWRR, WDRR, SWDRR WRED Traffic Classification Based on 802.1p COS, ToS, DiffServ DSCP, ACL, port number Traffic Policing PRI Mark/Remark</p>
ACL	<p>IP ACL, MAC ACL, IP-MAC ACL Standard and Expanded ACL Based on source/destination IP or MAC, IP Protocol, TCP/UDP port, DSCP, ToS, IP Precedence), VLAN, Tag/Untag, CoS Redirect and Statistics Rules can be configured to port, VLAN Time Ranged ACL</p>
Security	<p>IEEE 802.1x AAA Port, MAC-based authentication Accounting based on time length and traffic Guest VLAN and auto VLAN</p> <p>RADIUS for IPv4 and IPv6</p> <p>TACACS+ for IPv4 and IPv6</p> <p>MAB</p>
DHCPv4/v6	<p>DHCP Server/Client for IPv4/IPv6 DHCP Relay/Option 82 DHCP Snooping/Option 82</p>
Traffic Monitor	sFlow Traffic Analysis
Security Network Management	<p>CLI, WEB, Telnet, SNMPv1/v2c/v3 through IPv4 and IPv6 Syslog and external Syslog Server HTTP SSL SNMP MIB, SNMP TRAP FTP/TFTP SNTP/NTP RMOM 1,2,3,9 Authentication by Radius/TACACS SSH v1/v2 Dual firmware images/ Configuration files 802.3ah OAM, 802.1ag OAM</p>
Data Center Features	VSF (Virtual Switch Framework)

Application

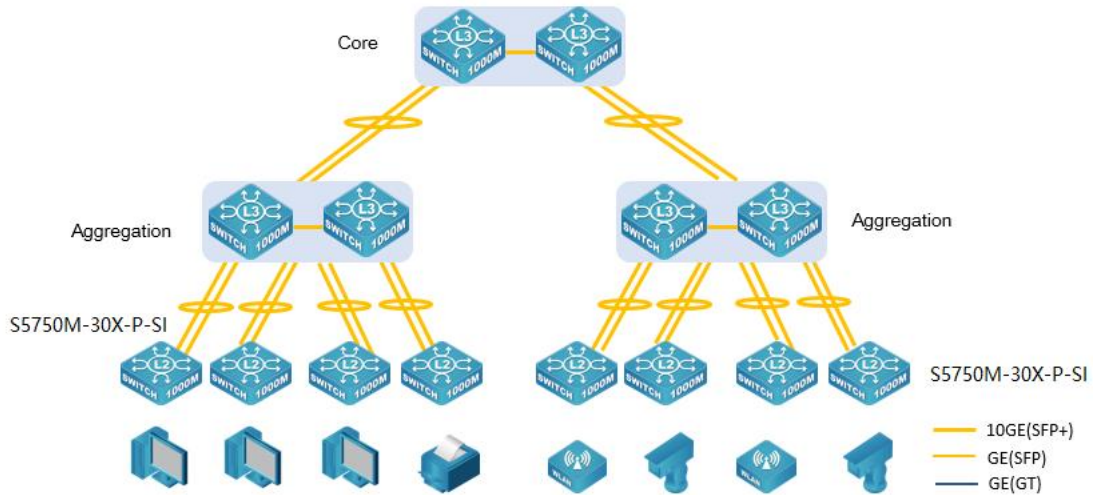
Gigabit access with 10G uplink in a campus network

Ideal switch to support access points, cameras. IEEE 802.3bt ready for Wi-Fi 6

Tel: +86-10-82707033 Fax: +86-10-82705112

Email: dcnsales@digitalchina.com, sales@dcnglobal.com

Website: www.dcnglobal.com



Order Information

Product	Description
S5750M-30X-P-SI	Full 2.5G PoE Ethernet Routing Switch, 24 x 100/1000M/2.5G BaseT + 4 x 10GE(SFP+) + 2 x 40G(QSFP+) ports, modular power (2 power modules at most, 1+1 redundancy. Standard with 1 AC power module), up to 1060W for PoE(2 PSUs)
M5750-AC-B	AC power supply, 600W, fit for S5750M-30X-P-SI