

StationBox[®] S

CARRIER CLASS

ALUMINIUM ACCESS POINT OUTDOOR ENCLOSURE

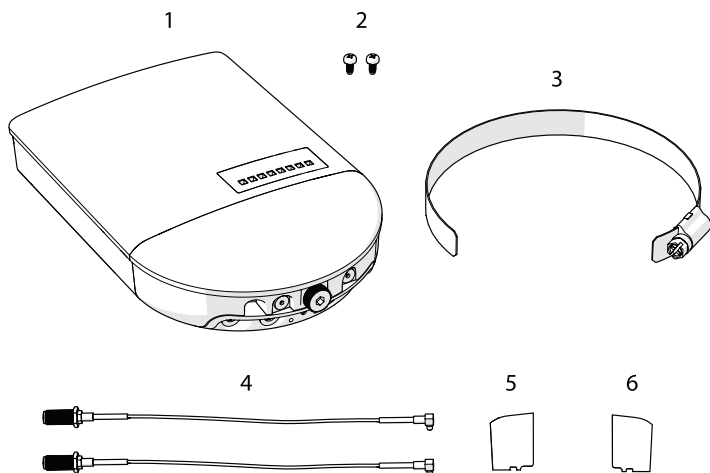


StationBox[®] S

CARRIER CLASS

1

Package Contents



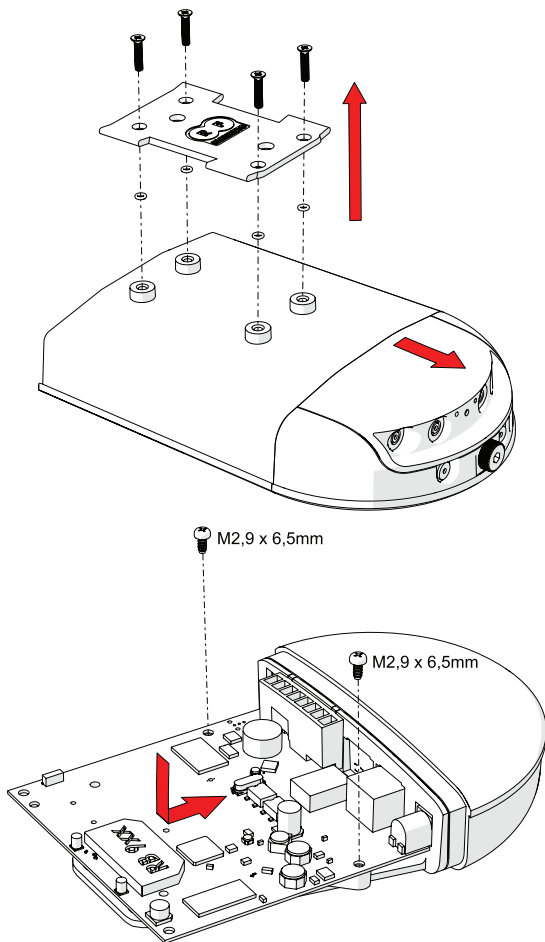
Number	Description	Quantity
1	SBX S2 Body	1
2	M2,9 x 6,5mm screw	2
3	Hose Clamp	1
4	Pigtail 150mm	2
5	Label, Power	1
6	Label, USB	1

StationBox[®] S

CARRIER CLASS

2

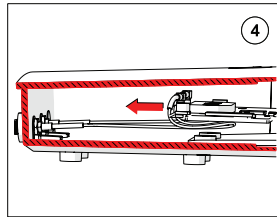
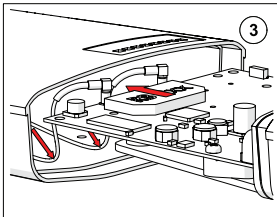
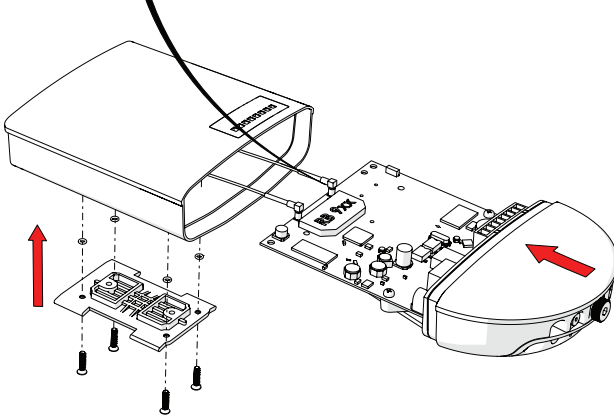
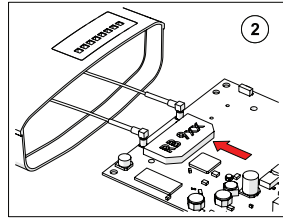
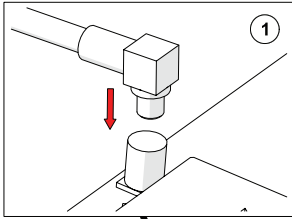
Installation Guide



StationBox[®] S

CARRIER CLASS

Installation Guide

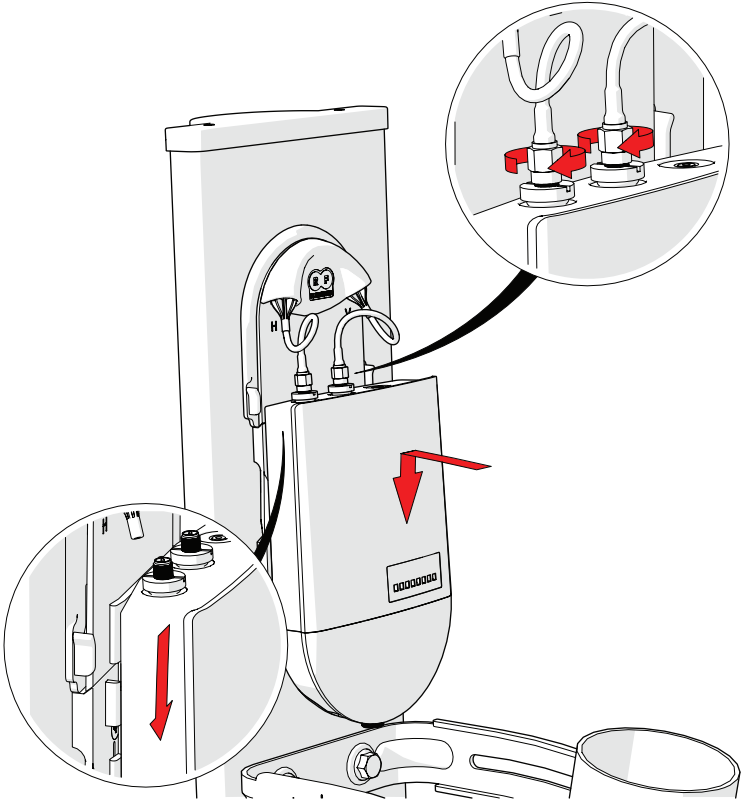


StationBox[®] S

CARRIER CLASS

4

Installation on Antenna

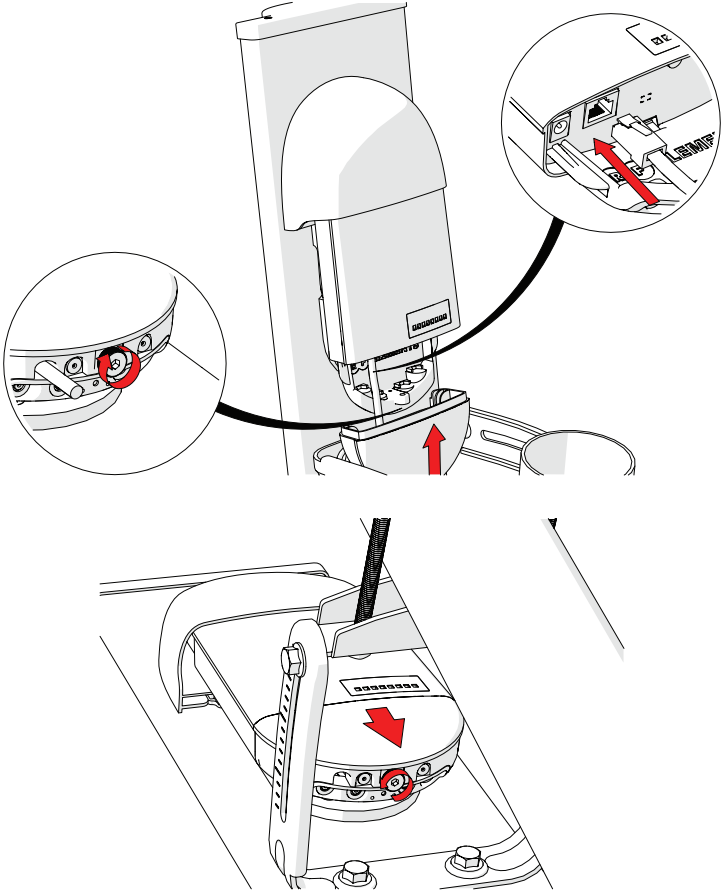


StationBox[®] S

CARRIER CLASS

5

Installation on Antenna

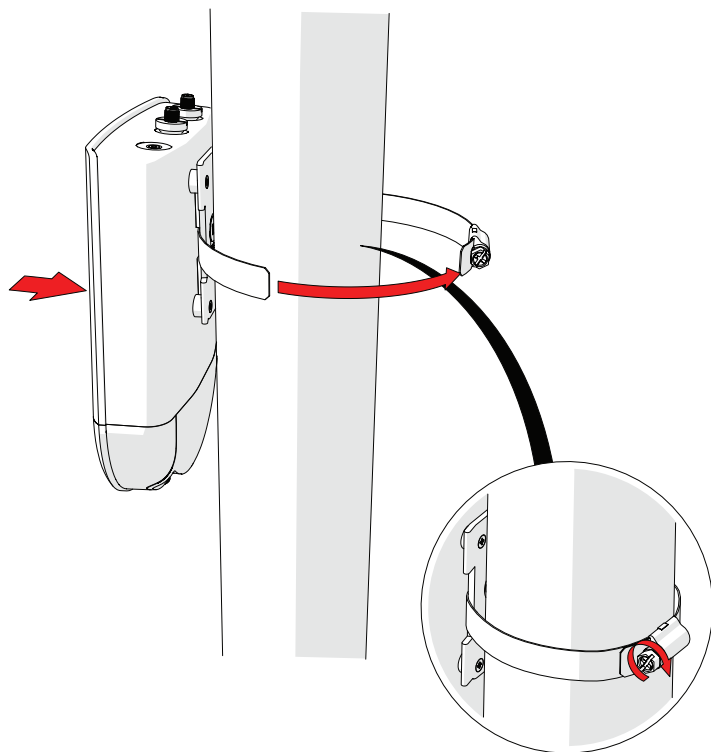


StationBox[®] S

CARRIER CLASS

6

Installation on a Pole

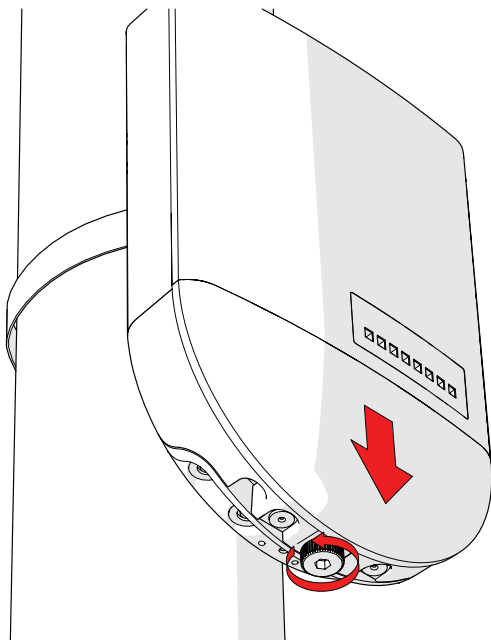


StationBox[®] S

CARRIER CLASS

7

Installation on a Pole

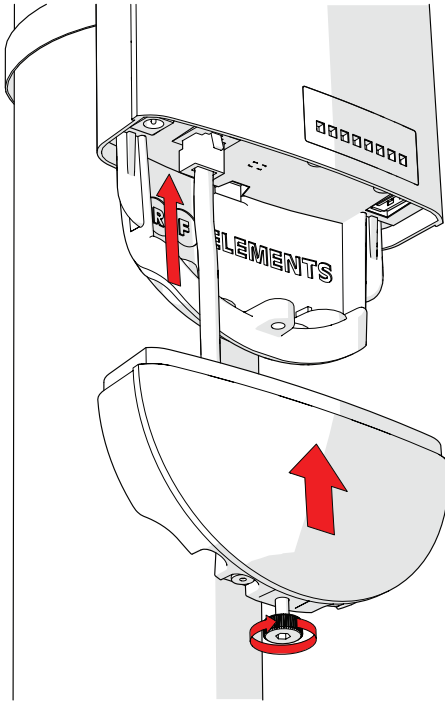


StationBox® S

CARRIER CLASS

8

Installation on a Pole



Compatible Devices:

MikroTik™ RB911G-2HPnD*, RB912UAG-2HPnD*,
RB911G-5HPnD*, RB912UAG-5HPnD*

MikroTik™ RB711-2Hn, RB711-5Hn, RB711-5Hn-M,
RB711-5Hn-U, RB711-2HnD, RB711-5HnD,
RB711G-5HnD, RB711UA-2HnD,
RB711UA-5HnD, RB711GA-5HnD

MikroTik™ RB411*, RB411GL*, RB411L*,
RB411AH*, RB411AR*, RB411UAHR*

*NOT ALL RADIO CARDS MAY FIT

MikroTik™ and RouterBoard™ are trademarks of MikroTik,
Aizkraukles iela 23, Riga, LV-1006 Latvia.
RF elements® and StationBox® are trademarks
of RF elements s.r.o., Humenne, Slovakia.
All rights of trademark owners reserved.



RF elements s.r.o.
Phone: +421 2 3260 3711
info@rfelements.com
www.rfelements.com